

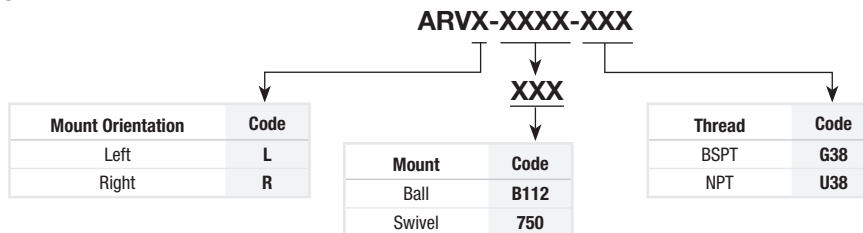


Auto Release Venturi ARVX-XXXX-XXX

- > ARVs connect the cups to the tooling while creating vacuum for panel transfer
- > Only one airline is required for vacuum generation
- > Blow off is automatic when air pressure is released
- > For faster tooling set-up and adjustment, a manual override push button releases vacuum
- > Ball and swivel mount options allow mounting the ARV to Ultra Arms (XUMB and IOT) or other clamps

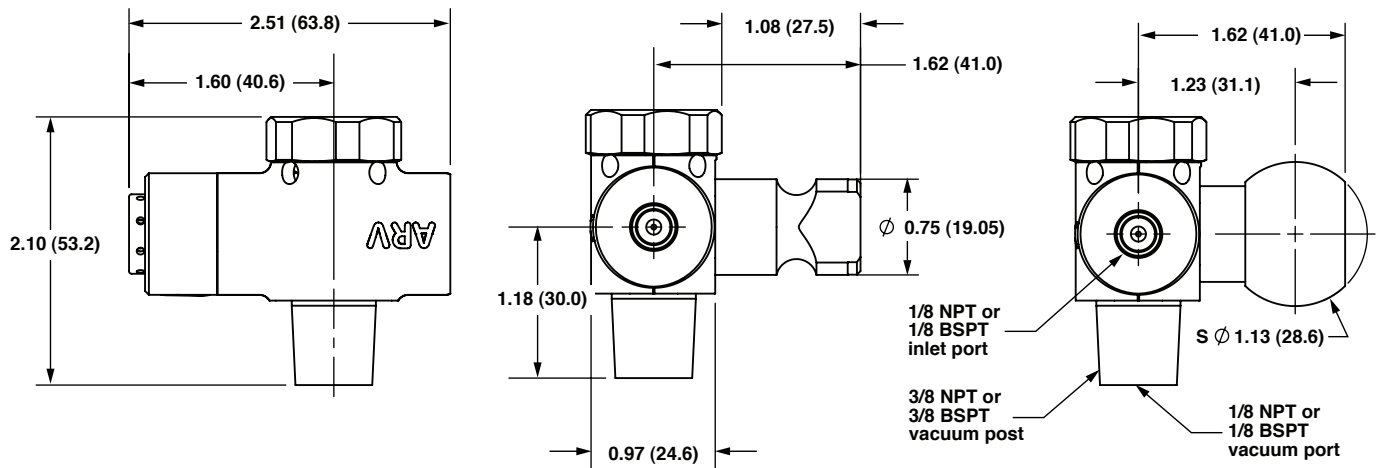


Order information



Technical data

Weight:
0.28 lbs. (129 g)



Dimensions in inches (mm) are for reference only

Warning

Improper selection, misuse, age or malfunction of components used in systems can cause failure in various modes. The system designer is warned to consider the failure modes of all component parts and to provide adequate safeguards to prevent personal injury or damage to equipment or property in the event of such failure modes. System designers and end users are cautioned to consult instruction sheets and specifications available from the factory. The system designer/end user is responsible for verifying that all requirements for the application are met.

Warranty

The products described herein are warranted subject to seller's Standard Terms and Condition of Sale, available at seller's website.

Proposition 65: These products may contain chemicals known to the state of California to cause cancer, or birth defects, or other reproductive harm.